

3 PIECES STAINLESS STEEL BALL VALVE WITH ROTATING ENDS ELSA SW

3 pieces stainless steel ball valve with rotating ends, full bore for chemical, fine chemical, pharmaceutical, food, cosmetics and cooling industries networks.

Easy installation thanks to the rotating ends.

TFM1600 packing with 3 chevrons gaskets and one thrust washer on stem, body gasket and seat in TFM1600.

Fugitive emission according to EN 15848-1 :2015 for an excellent tightness on the stem and to prevent external leakage.

Compatible with explosive atmosphere, ATEX Zone 1&21 and Zone 2&22 thanks to the double antistatic device.

Valve in accordance with the regulation (EC) N° 1935/2004, FDA and USP Class VI on request.

Handling with lockable handle, locking oval handwheel or stem extension with ISO5211 plate.

Thanks to the ISO 5211 plate, an actuator can be installed on the valve.



Fugitive Emissions



- Size :** DN8 to DN50
- Connection :** SW
- Min Temperature :** -50°C
- Max Temperature :** +185°C
- Max Pressure :** 63 Bars up to DN40 (50 bars for DN50)
- Specifications :** Rotating ends
ISO 5211 mounting pad
Abti blow-out stem, Full bore
Double antistatic device, ATEX
Fugitive Emissions, EC 1935/2004 and FDA

Materials : Stainless Steel EN 1.4409

3 PIECES STAINLESS STEEL BALL VALVE WITH ROTATING ENDS ELSA SW

SPECIFICATIONS :

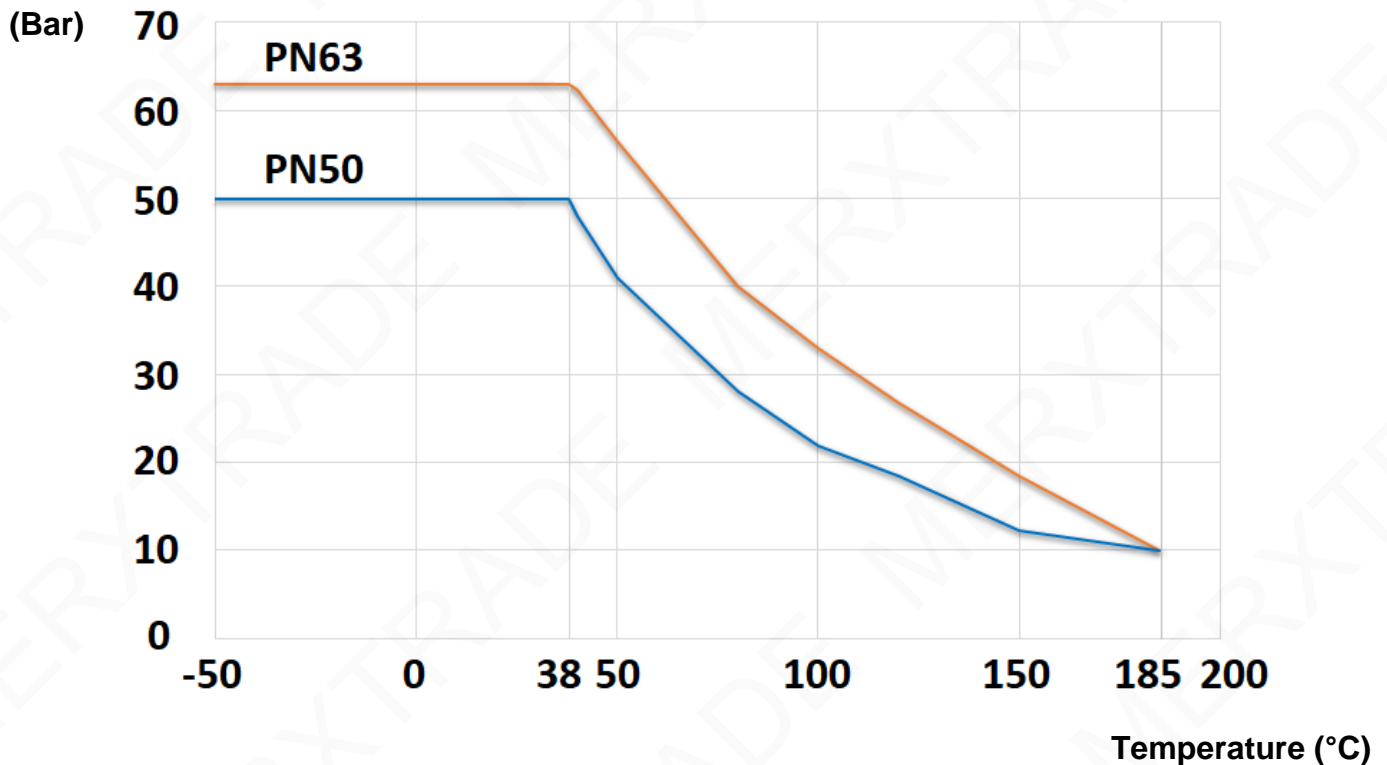
- Full bore
- Anti blow-out stem
- Packing with 3 chevrons gaskets
- Double antistatic device (ball between stem-body and stem-ball)
- Fugitive emissions according to ISO 15848-1 2015
- Lockable handle
- Oval handwheel and stem extension on request
- ISO 5211 mounting pad
- Rotating ends
- Welding possible without removing the central part if the valve is in opened position
- **EC 1935/2004** for food industries
- Seat with notches for automatic decompression in the dead area
- With exhaust hole in the ball (located in the top of the ball to avoid overpressure in it in opened position)
- Roughness Ra 0.4 for the ball, Ra 0.8 for the ends

USE :

- Chemical, fine chemical, pharmaceutical, food industries, cosmetics and cooling
- Vacuum 10^{-2} bar (without back pressure)
- Min and max Temperature Ts : -50°C to + 185°C
- Max Pressure Ps : 63 bars up to DN40, 50 bars for DN50 (see graph under)
- Steam : 10 bars max

PRESSURE / TEMPERATURE graph for full bore types (STEAM EXCLUDED) :

Pressure



3 PIECES STAINLESS STEEL BALL VALVE WITH ROTATING ENDS ELSA SW

FLOW COEFFICIENT Kvs (M3 / h) for full bore types :

DN (mm)	8-12	15	20	25	32	40	50
NPS (")	1/4"-3/8"	1/2"	3/4"	1"	1"1/4	1"1/2	2"
Kvs (m3/h)	17	31	59	98	159	230	418

TORQUES VALUES for full bore types (in Nm without safety coefficient) :

DN (mm)	8-12	15	20	25	32	40	50
NPS (")	1/4"-3/8"	1/2"	3/4"	1"	1"1/4	1"1/2	2"
Torque (Nm)	4.5	4.9	5.9	11.8	19.6	29.4	39.2

BOLT TIGHTENING TABLE For full bore types (in Nm) :

DN (mm)	8/12	15	20	25	32	40	50
NPS (")	1/4"-3/8"	1/2"	3/4"	1"	1"1/4	1"1/2	2"
Torque (Nm)	12	20	20	20	40	40	50

RANGE :

- 3 Pieces ball valve with rotating ends EN 1.4409 full bore SW Ref. **ELITSW** from DN8 to DN 50

ENDS :

- S.W.

OPTIONS :

- AISI 304 Oval Handwheel Ref. **ELVO0812-25**



DN (mm)	8	12	15	20	25
NPS (")	1/4"	3/8"	1/2"	3/4"	1"
Ref. Full bore	ELVO0812		ELVO15 or ELVO1520		ELVO25

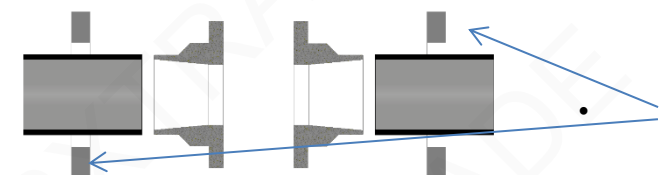
- AISI 304 stem extension with ISO 5211 plate and bolting Ref. **ELRISO015-ELRISO050**



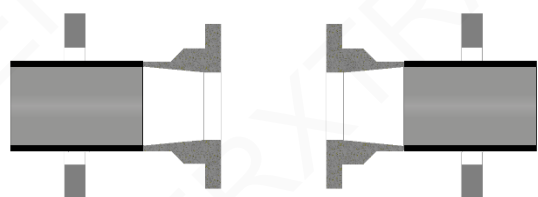
DN (mm)	8	12	15	20	25	32	40	50
NPS (")	1/4"	3/8"	1/2"	3/4"	1"	1"1/4	1"1/2	2"
Ref. Full bore	ELRISO0812		ELRISO1520		ELRISO25	ELRISO32	ELRISO40	ELRISO50

3 PIECES STAINLESS STEEL BALL VALVE WITH ROTATING ENDS ELSA SW

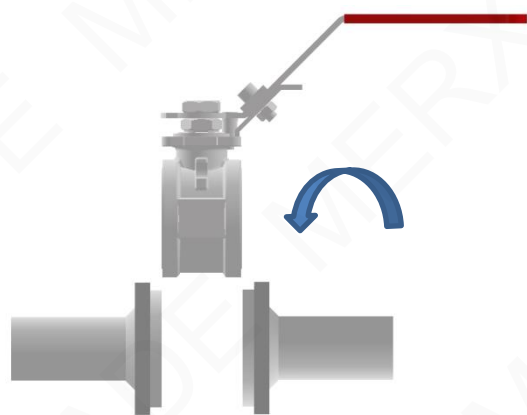
INSTALLATION :



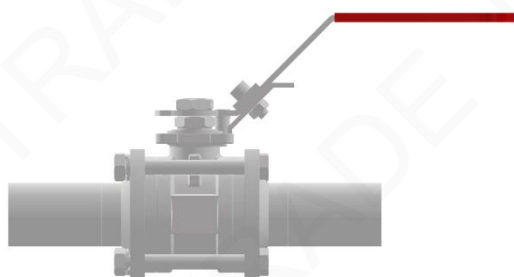
- Insert flanges on the pipe then place the ends



- Weld the ends on the pipe and check the length between them is correct



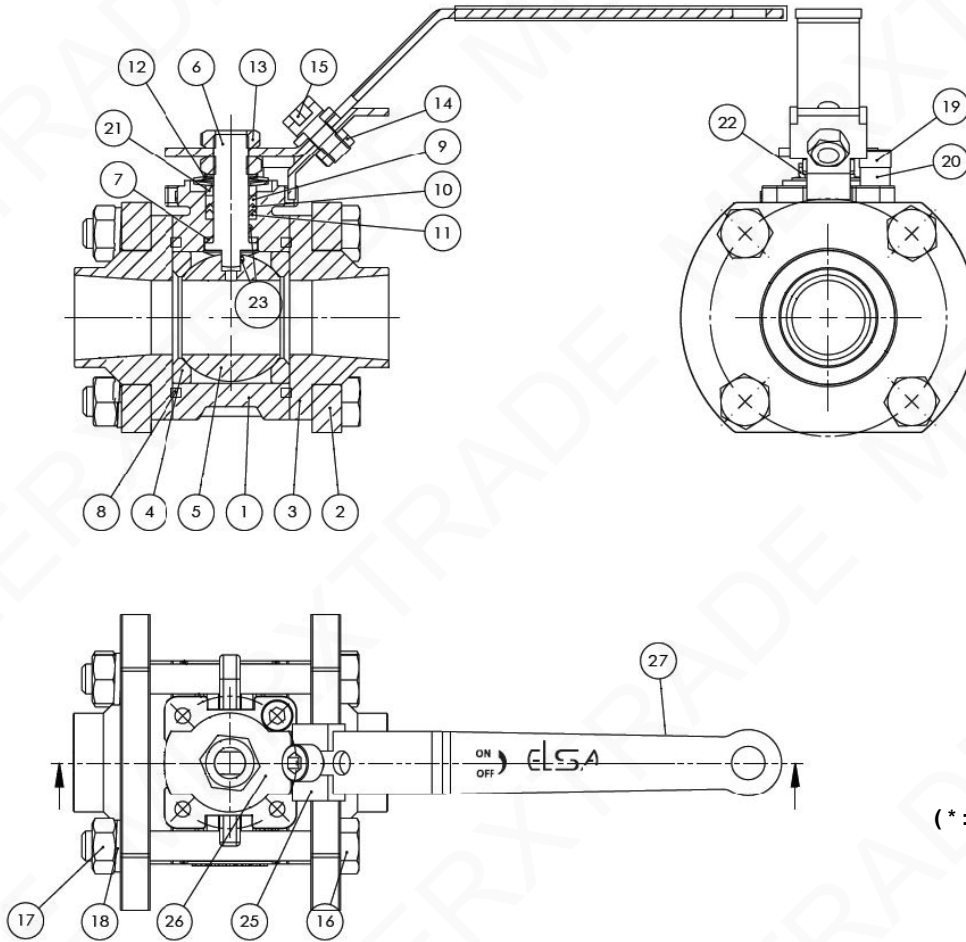
- Insert the body between the ends, thanks to the rotating ends, it's easy to place and adjust the desired angle



- Insert the studs and tightnen them at the torque indicated page 3

3 PIECES STAINLESS STEEL BALL VALVE WITH ROTATING ENDS ELSA SW

MATERIALS :

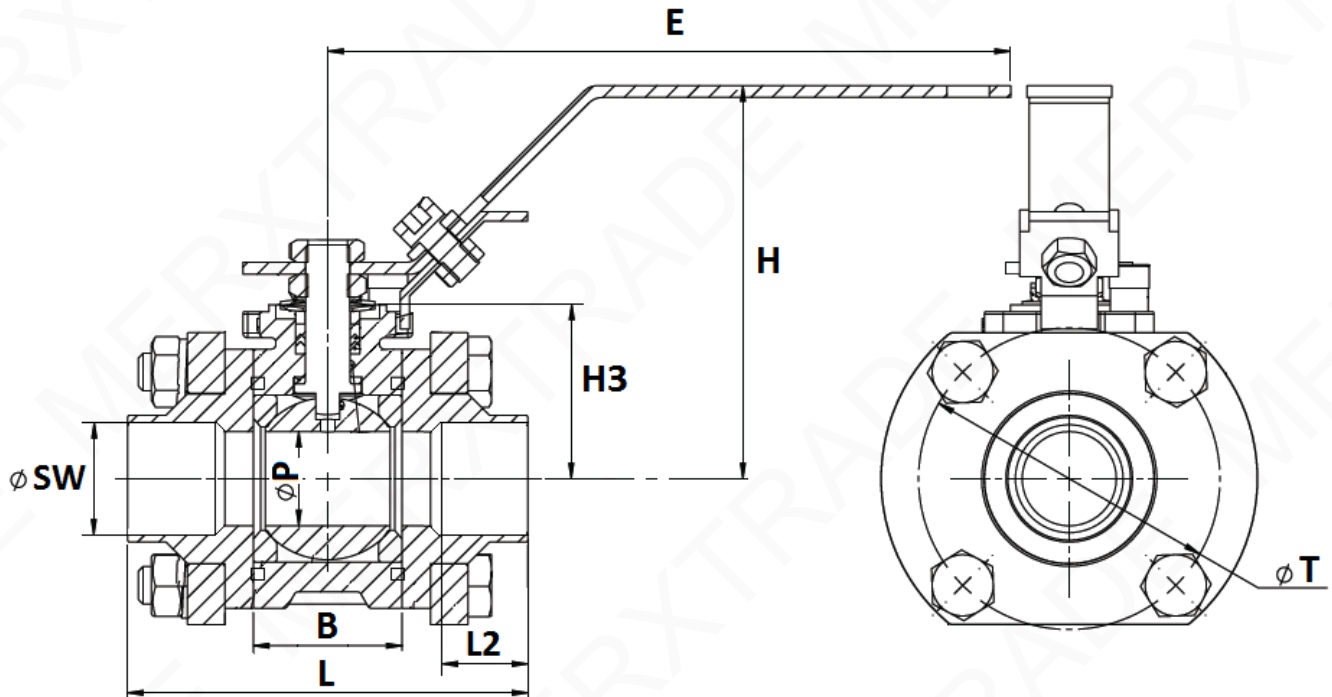


(* : Included in gaskets kit)

Item	Designation	Materials
1	Body	EN 1.4409
2	Flange	EN 1.4308
3	Ends	EN 1.4409 Ra 0.8
4*	Seat	TFM1600
5	Ball	CF3M Ra 0.4
6	Stem	AISI 316L
7*	Thrust washer	TFM1600
8*	Body gasket	
9*, 10*, 11*	Packing (chevrons)	
12	Elastic rings	AISI 301
13	Handle nut	AISI 304
14, 15	Screw and nut	
16, 17	Studs and nut	A2-70
18	Washer	AISI 304
19, 20	Screw and stop	
21	Gland	
23	Antistatic device	AISI 316
25	Locking device	AISI 304
26	Handle	
27	Handle cover	PVC

3 PIECES STAINLESS STEEL BALL VALVE WITH ROTATING ENDS ELSA SW

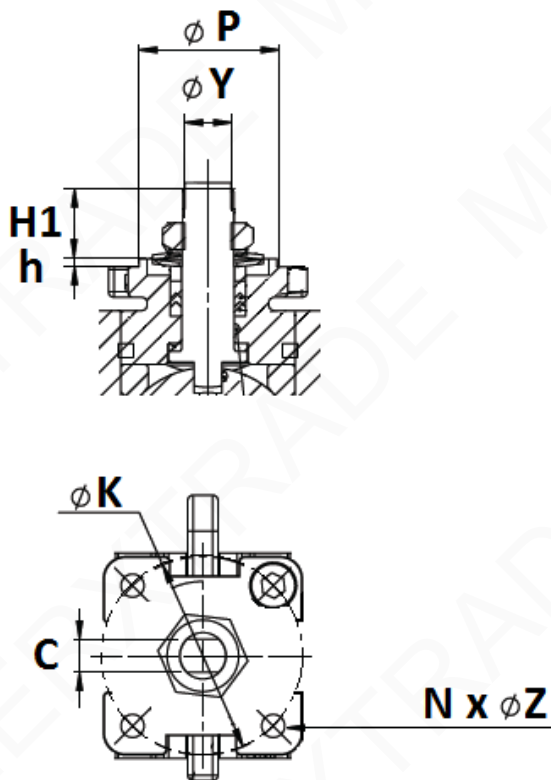
SIZE SW TYPES (mm) :



DN (mm)	8	10	15	20	25	32	40	50
Ø P	11.3		15	20	25.4	32	38.2	50
Ø SW	14.2	17.7	21.8	27.2	33.9	42.7	48.8	61.2
L	65.2		70	85	100	110	125	150
L2	11.2		11.2	14.3	15.8	17.5	19.1	21.3
B	20.4		24.4	31.6	41.4	48.2	56.2	71
E	130		149	149	170.5	192.5	212.5	216
H	70.3		79	83.4	106.6	110.4	108.7	139.6
H3	28		32.85	36.9	44.7	48.1	53.1	72.5
Ø T	43		53.1	64	71.4	80.9	94.2	114
Weight (in Kg)	0.6	0.6	0.88	1.42	1.95	3.1	4	7.7
Ref. Full bore	ELITSW08	ELITSW10	ELITSW15	ELITSW20	ELITSW25	ELITSW32	ELITSW40	ELITSW50

3 PIECES STAINLESS STEEL BALL VALVE WITH ROTATING ENDS ELSA SW

ISO MOUNTING PAD AND STEM SIZE for Full bore type (in mm) :



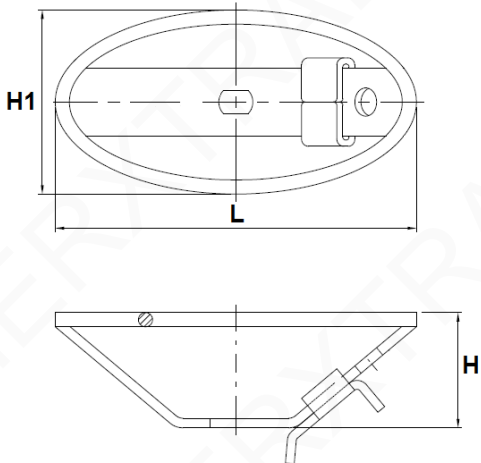
DN (mm)	8	10	15	20	25	32	40	50
NPS (")	1/4"	3/8"	1/2"	3/4"	1"	1 1/4"	1 1/2"	2"
H1	4.5		12.7		17.4	18.7	23.4	31.6
h	1		1.5					
C	6				8	8	10	14
ϕY	5/16"-24UNF		3/8"-24UNF		1/2"-20UNF	1/2"-20UNF	5/8"-18UNF	3/4"-16UNF
ϕP	25		30		30	35	55	
ϕK	36		42		50	50	70	
ISO	F03				F04	F05	F05	F07
N x ϕZ	4 x $\phi 4.2$				4 x $\phi 4.2$	4 x $\phi 5$		4 x $\phi 6.8$

TORQUES VALUES for full bore types (in Nm without safety coefficient) :

DN (mm)	8-12	15	20	25	32	40	50
NPS (")	1/4"-3/8"	1/2"	3/4"	1"	1 1/4"	1 1/2"	2"
Torque (Nm)	4.5	4.9	5.9	11.8	19.6	29.4	39.2

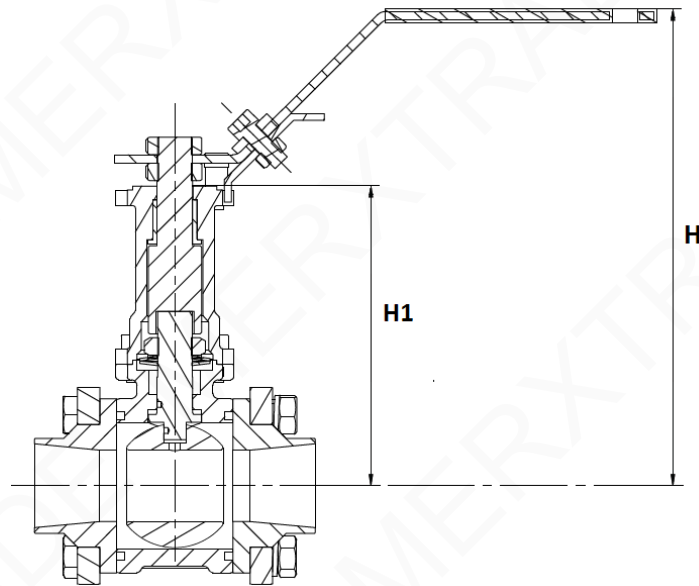
3 PIECES STAINLESS STEEL BALL VALVE WITH ROTATING ENDS ELSA SW

AISI 304 OVAL HANDWHEEL SIZE Ref. ELVO (in mm) :



DN (mm)	8-12	15-20		25
NPS (")	1/4"-3/8"	1/2"-3/4"		1"
L	96	96	136	136
H	37	45	45	46
H1	60	60	80	80
ISO PLATE	F03			F04
Ref. Full bore	ELVO0812	ELVO15	ELVO1520	ELVO25

ELSA VALVE WITH STEM EXTENSION ELRISO SIZE (in mm) :



DN (mm)	8	12	15	20	25	32	40	50
NPS (")	1/4"	3/8"	1/2"	3/4"	1"	1" 1/4"	1" 1/2"	2"
H	134.9		140.4	145.1	168	172.5	168.4	199.5
H1	90		94.9	98.9	106.7	110.2	115.1	134.5
Ref. Stem extension alone (without valve and handle)	ELRISO0812		ELRISO1520		ELRISO25	ELRISO32	ELRISO40	ELRISO50

3 PIECES STAINLESS STEEL BALL VALVE WITH ROTATING ENDS ELSA SW

STANDARDS :

- Manufacturer certified ISO 9001:2015
- DIRECTIVE 2014/68/EU : CE N° 0035
Risk category III module H
- Certificate 3.1 on request
- Design according to EN 12516-2&3
- Pressure tests according to EN 12266-1, Rate A
- S.W. ends according to ASME B16.11
- ISO 5211 mounting pad
- ATEX Group II Category 2 G/2Dc Zone 1 & 21 Zone 2 & 22 (optional marking) according to directive 2014/34/EU
- Fugitive Emissions according to ISO 15848-1 : 2015
- Valve in accordance with the regulation **(EC) N° 1935-2004, FDA and USP Class VI** on request
- SIL2 according to IEC/EN 61508, SIL 3 possible according to the type of installation

ADVICE : Our opinion and our advice are not guaranteed and merxtrade shall not be liable for the consequences of damages. The customer must check the right choice of the products with the real service conditions.